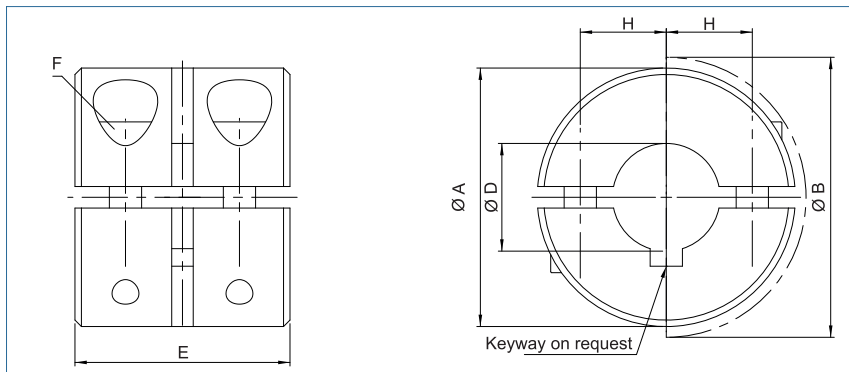


Collar

split, in wide version

optional full stainless steel version



Order Code	<b>KR-GB</b>	-	<b>20</b>	<b>steel blackened</b>
	Type		Size	
Order Code	<b>KR-GB-VA</b>	-	<b>20</b>	<b>stainless steel</b>
	Type		Size	

Collar split, in wide version											
Size	axial force N		Bore	Standard				F Screws (ISO4762)	Tightening Torque Screws Nm		Mass kg
	steel	stainless steel (VA)		A mm	H mm	E mm	B mm		steel	stainless steel (VA)	
6	4576	2600	6	16	5	20	20.7	M3x8	2	1.3	0.024
8	4576	2600	8	18	6	20	22.4	M3x8	2	1.3	0.029
10	4576	2600	10	24	8	20	26	M3x10	2	1.3	0.050
12	7904	4576	12	28	9.5	24	31.8	M4x12	5	3	0.083
16	12896	7488	16	34	12	29	39.4	M5x16	10	6	0.143
20	18616	15496	20	40	14.5	33	47.5	M6x18	15	10	0.224
25	18616	15496	25	45	16.5	33	50.8	M6x18	15	10	0.258
30	18616	15496	30	54	21	33	58.6	M6x18	15	10	0.372
40	18616	15496	40	60	25	33	66	M6x18	15	10	0.373
50	29120	19344	50	78	32	41	87	M8x25	42	25	0.790

<b>Bore tolerance</b>	H7
<b>Material</b>	steel blackened stainless steel blank
<b>Keyway</b>	optional acc. DIN 6885
<b>Temperature Range</b>	-40 °C ~ 175 °C