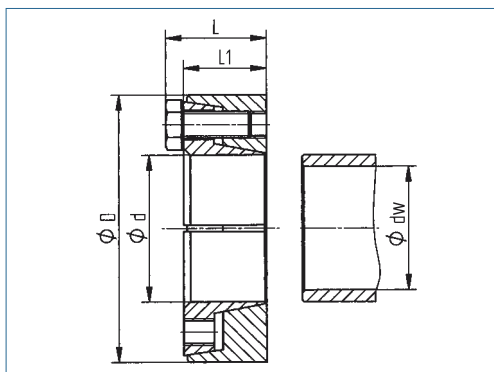


Shrink Disc

optional
nickel-plated version
optional full stainless
steel version



transmittable torque	medium
surface pressure on hub	medium
self-centering	yes
height D/d	medium
overall length	medium

Order Code

KBS 19/1 - 24 x 50

Type

Ød

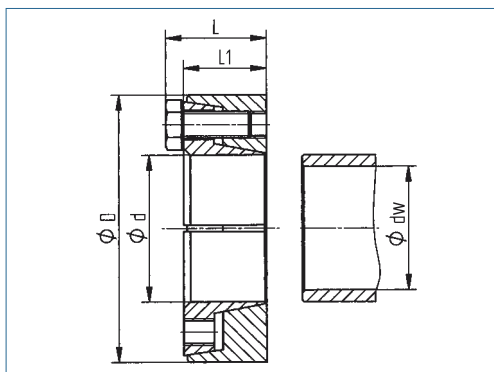
ØD

Recommended finishing tolerances of contact surfaces are: shaft d h 9

Hollow Ød mm	Shaft Ø dw mm	Outer ØD mm	Torque T Nm	Dimensions			Surface pressure Shaft Pw N/mm²	Screws			Mass kg
				L mm	L1 mm	Fitting Tolerance max. mm		No.	ISO 4017	TA Nm	
14	11	38	29	14.5	11	0.014	114	3	M5	5	0.08
	51		167								
16	13	41	96	19	15	0.014	200	3	M6	12	0.13
	132		239								
18	15	44	121	19	15	0.014	190	3	M6	12	0.14
	159		220								
20	17	47	146	19	15	0.014	179	4	M6	12	0.15
	186		203								
24	19	50	172	22	18	0.017	145	5	M6	12	0.2
	20		165								
	21		184								
30	24	60	297	24	20	0.017	137	6	M6	12	0.3
	25		150								
	26		162								
36	28	72	563	27.3	22	0.017	169	5	M8	30	0.5
	30		187								
	31		177								
44	34	80	734	29.3	24	0.032	135	6	M8	30	0.6
	35		144								
	36		153								
50	38	90	1230	31.3	26	0.032	166	8	M8	30	0.8
	40		180								
	42		193								
55	42	100	1640	34.3	29	0.032	172	8	M8	30	1.2
	45		190								
	48		206								
62	48	110	1940	34.3	29	0.032	156	9	M8	30	1.4
	50		165								
	52		160								
68	50	115	1810	34.3	29	0.048	134	9	M8	30	1.4
	55		160								
	60		184								
75	55	138	2770	37.4	31	0.048	156	10	M10	59	2.3
	60		178								
	65		197								
80	60	145	3200	37.4	31	0.048	151	10	M10	59	2.5
	65		170								
	70		187								
90	65	155	4730	44.4	38	0.048	159	11	M10	59	3.4
	70		174								
	75		189								
100	70	170	6440	49.4	43	0.048	164	14	M10	59	4.7
	75		177								
	80		190								

Shrink Disc

optional
nickel-plated version
optional full stainless
steel version



transmittable torque	medium
surface pressure on hub	medium
self-centering	yes
height D/d	medium
overall length	medium

Order Code

KBS 19/1 - 140 x 230

Type Ød ØD

Recommended finishing tolerances of contact surfaces are: shaft d h 9

Hollow Ød mm	Shaft Ø dw mm	Outer ØD mm	Torque T Nm	Dimensions			Surface pressure Shaft Pw N/mm²	Screws			Mass kg
				L mm	L1 mm	Fitting Tolerance max. mm		No.	ISO 4017	TA Nm	
110	75	185	8810	56.5	49	0.048	170	12	M12	100	6.2
	80		10600				182				
	85		11700				192				
115	80	197	11200	60.5	53	0.069	177	12	M12	100	7.6
	85		12200				170				
	90		14700				183				
120	85	197	11000	60.5	53	0.069	154	12	M12	100	7.3
	90		13300				166				
	95		15900				178				
125	85	215	11600	60.5	53	0.069	163	14	M12	100	9.2
	90		14000				175				
	95		16600				186				
130	85	215	10600	60.5	53	0.069	149	14	M12	100	8.8
	90		12800				161				
	95		15300				171				
135	90	230	13000	66.8	58	0.069	148	12	M14	160	11.0
	95		15200				159				
	100		18200				169				
140	95	230	14300	66.8	58	0.069	146	12	M14	160	11.0
	100		16800				156				
	105		19600				165				
155	105	263	20900	70.8	62	0.069	161	12	M14	160	16.0
	110		24000				169				
	115		27400				176				
165	115	290	31700	78	68	0.069	182	12	M16	250	22.0
	120		35800				189				
	125		39100				190				
175	125	300	40000	78	68	0.079	194	12	M16	250	23.0
	130		44700				201				
	135		49700				207				
180	135	320	56000	95	85	0.079	184	16	M16	250	34.0
	140		62100				189				
	145		68500				195				
185	135	320	53100	95	85	0.079	174	16	M16	250	33.0
	140		59000				180				
	145		65200				185				
200	150	340	75100	95	85	0.079	200	16	M16	250	37.0
	155		82000				204				
	160		89300				209				
220	160	370	103000	115.5	103	0.079	195	16	M20	490	53.0
	165		112000				199				
	170		121000				203				
240	170	405	125000	119.5	107	0.079	201	18	M20	490	66.0
	180		145000				208				
	190		164000				211				