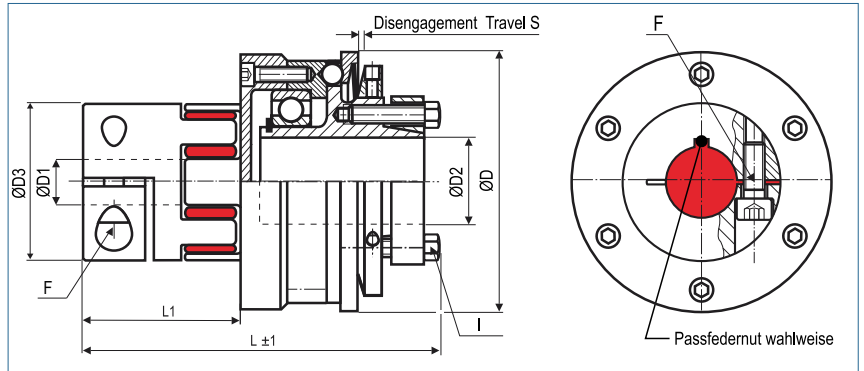


## Safety Coupling

with collet clamp and outer cone

optional  
nickel-plated version  
optional full stainless  
steel version



Order Code

**KBK/EKA - 24 - 119.5 - 16H7 - 14H7 - 20Nm - C or D - 2**

Type      Size      Length      ØD1 (H7)      ØD2 (H7)      Disengagement Torque      Torque Range

C = Single Position    D = Multi Position Engagement

Size	Dimensions (mm)									Technical Data								
	ØD	L	Ø D1	Ø D2	Ø D3	F	I	L1	S	max. speed (1/min)	Mass (kg)	Moment of Inertia J (kg cm <sup>2</sup> )	Torque 98 Sh TKN (Nm)	Torque Range		Misalignment		
	Outer Ø	Length	Bore Size (H7) min~max	Bore Size (H7) min~max		Screw ISO4762 TA (Nm)	Screw ISO4017 TA (Nm)							1 TKN (Nm)	2 TKN (Nm)	radial Δ Kr (mm)	axial Δ Ka (mm)	angular Δ Kw (°)
-14	49	67	4-16	5-14 10#	30	M3 1.4	M3 2.1	24	0.7	11690	0.24	0.6	12.5	3 - 7	5 - 10	0.09	+1.0 -0.5	0.9
-19	64	96	10-22	12-20	40	M6/11	M5	41	1.2	8950	0.73	3.0	17	5 - 15	10 - 30	0.06	+1.2 -0.5	0.9
		88		14#		M6/11	5.9	33										
-24	79	119.5	15-30	15-25	55	M6/11	M5	50	1.2	7630	1.41	8.6	60	12 - 35	20 - 60	0.10	+1.4 -0.5	0.9
		109.5		18#		M6/11	8.7	40										
-28	94	144	19-38	20-35	65	M8/25	M6	59	2	6030	2.4	21	160	50 - 130	65 - 150	0.11	+1.5 -0.7	0.9
		130		27#		M8/25	15	45										
-38	119	160	20-45	25-50	80	M8/25	M8	67	2	4980	4.5	67	325	60 - 200	150 - 300	0.12	+1.8 -0.7	0.9
		146		41#		M10/49	25	53										
-42	129	189	28-45	35-55	95	M10	M8	76	2	4440	6.8	120	450	80 - 250	200 - 500	0.14	+2.0 -1.0	0.9
				45#		70	36											



<b>Material</b>	outer cone: steel collet clamp: aluminium spider element: polyurethane 98 Sh A (red)
<b>Hub Style</b>	size 14 and 19: single slit** size 24, 28, 38, 42: double slit ** short lengths are automatically with single slits
<b>Keyway</b>	optional acc. DIN 6885 biggest bore marked with a #
<b>Temperature Range</b>	-30 °C ~ 90 °C