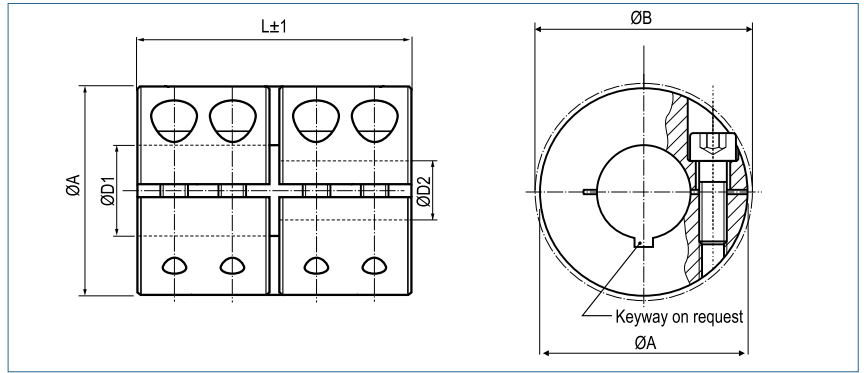


Rigid Shaft Coupling

single slit



Order Code for Standard Coupling

KBST - 50

This coupling will automatically be supplied with unique bore 50H7.

Type Size

Order Code for Coupling with different Bore Diameters

KBST - 50 - 45 - 48

This coupling will be supplied with the dimensions of type KBST-50 but with a bore combination 45H7 - 48H7.

Type Size D1 D2

Rigid shaft coupling - Steel blackened									
Size	Torque Steel Nm	Dimensions					Screw (ISO4762)	Tightening Torque Screws Nm	Mass g
		Standard Bore D1 / D2 H7	different Bores min-max	A mm	B mm	L mm			
6	30	6	5-7	18	21.2	30	M3x8	2	47
8	50	8	5-12	24	26.8	35	M3x10	3	102
10	100	10	5-15	29	32.7	45	M4x12	4.5	185
12	100	12	5-15	29	32.7	45	M4x12	4.5	180
14	190	14	10-17	34	39.1	50	M5x16	9	272
15	190	15	10-17	34	39.1	50	M5x16	9	266
16	190	16	10-17	34	39.1	50	M5x16	9	261
20	350	20	10-24	42	48.2	65	M6x16	15	518
25	390	25	10-26	45	50.8	75	M6x16	15	623
30	475	30	20-32	53	58.1	83	M6x18	15	920
35	1100	35	20-40	67	74.1	95	M8x25	40	1880
40	1325	40	30-50	77	83.4	108	M8x25	40	2710
50	2250	50	40-52	85	93.2	124	M10x25	84	3520

Transmittable torque (Nm) depending on shaft diameter (mm)																							
Size	5	6	8	10	12	14	16	18	20	22	24	26	28	30	32	34	36	38	40	44	46	48	50
6	18	19																					
8	25	26	29	31	33																		
10	51	53	57	61	65	69																	
12	51	53	57	61	65	69																	
14				109	116	122	129																
15				109	116	122	129																
16				109	116	122	129																
20				195	205	214	223	233	242	251	261												
25				209	219	228	237	247	256	265	275	284											
30									284	293	303	312	321	330	340								
35									582	599	616	632	649	666	682	699	716	732	749				
40														749	765	782	799	815	832	865	882	899	915
50																			1400	1453	1479	1506	1532

+ Keyways according DIN 6885/1 are only possible in unique bore diameters.