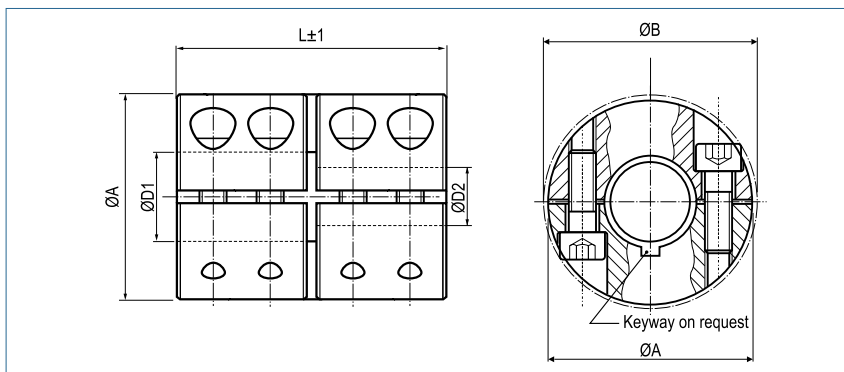


Rigid Shaft Coupling

split



Order Code for Standard Coupling

KBST-G - 50

Type Size

This coupling will automatically be supplied with unique bore 50H7.

Order Code for Coupling with different Bore Diameters

KBST-G - 50 - 45 - 48

Type Size D1 D2

This coupling will be supplied with the dimensions of type KBST-50 but with a bore combination 45H7 - 48H7.

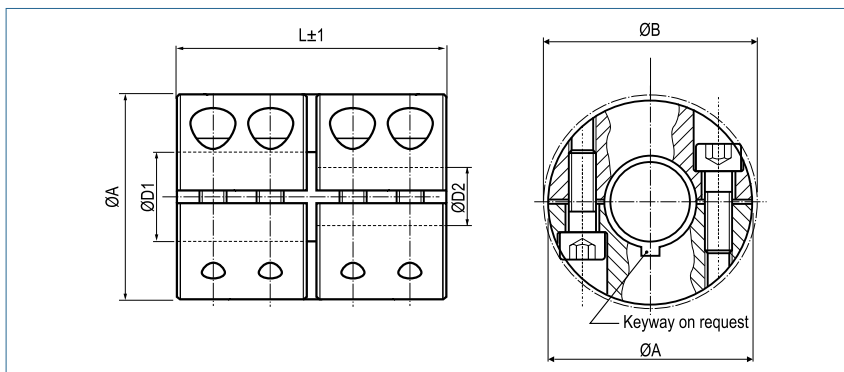
Rigid Shaft Coupling split - Steel blackened									
Size	Torque Steel Nm	Dimensions					Screws (ISO4762)	Tightening Torque Screws Nm	Mass g
		Standard Bore D1 / D2 H7	different Bores min~max	A mm	B mm	L mm			
6	30	6	5-7	18	21.2	30	M3x8	2	47
8	50	8	5-12	24	26.8	35	M3x10	3	102
10	100	10	5-15	29	32.7	45	M4x12	4.5	185
12	100	12	5-15	29	32.7	45	M4x12	4.5	180
14	190	14	10-17	34	39.1	50	M5x16	9	272
15	190	15	10-17	34	39.1	50	M5x16	9	266
16	190	16	10-17	34	39.1	50	M5x16	9	261
20	350	20	10-24	42	48.2	65	M6x16	15	518
25	390	25	10-26	45	50.8	75	M6x16	15	623
30	475	30	20-32	53	58.1	83	M6x18	15	920
35	1100	35	20-40	67	74.1	95	M8x25	40	1880
40	1325	40	30-50	77	83.4	108	M8x25	40	2710
50	2250	50	40-52	85	93.2	124	M10x25	84	3520

Transmittable torque (Nm) depending on shaft diameter (mm)																					
Size	5	6	8	10	12	14	16	18	20	22	26	28	30	32	34	38	42	44	48	50	52
6	29	35																			
8	29	35	47	58	70																
10	52	62	83	103	124	145															
12	52	62	83	103	124	145															
14				168	202	235	269														
15				168	202	235	269														
16				168	202	235	269														
20				237	284	332	379	427	474	521											
25				237	284	332	379	427	474	521	616										
30									474	521	616	664	711	758							
35									847	932	1102	1186	1271	1356	1441	1610					
40													1271	1356	1441	1610	1780	1864	2034	2119	
50																	2825	2960	3229	3363	3498

+ Keyways according DIN 6885/1 are possible for all bore combinations.

Rigid Shaft Coupling

split



Order Code for Standard Coupling

KBST-G - 80

Type Size

This coupling will automatically be supplied with unique bore 80H7.

Order Code for Coupling with different Bore Diameters

KBST-G - 80 - 75 - 90

Type Size D1 D2

This coupling will be supplied with the dimensions of type KBST-80 but with a bore combination 75H7 - 90H7.

Rigid Shaft Coupling split - Steel blackened									
Size	Torque Steel Nm	Dimensions					Screws (ISO4762)	Tightening Torque Screws Nm	Mass g
		Standard Bore D1 / D2 H7	different Bores min~max	A mm	B mm	L mm			
55	3000	55	45-58	93	99.5	140	M10x30	84	4015
60	3300	60	50-64	100	105	150	M10x30	84	4860
65	4000	65	60-72	115	120	200	M12x35	144	8960
70	4800	70	65-78	122	125.5	220	M12x40	144	10900
75	5500	75	70-88	133	136	220	M12x40	144	12390
80	6800	80	75-92	138	140	220	M12x45	144	13170
85	7500	85	75-92	148	155	250	M16x45	354	18680
90	8400	90	80-100	157	162	280	M16x50	354	23080
95	10000	95	80-100	167	176	300	M20x55	590	29530
100	12500	100	80-104	173	181	320	M20x55	590	33990

Transmittable torque (Nm) depending on shaft diameter (mm)																				
Size	45	48	50	52	55	58	60	64	65	70	72	75	78	80	85	88	90	95	100	104
55	3144	3223	3276	3328	3408	3487														
60			3434	3487	3566	3645	3698	3804												
65							5772	5926	5964	6157	6234									
70									6195	6388	6465	6580	6696							
75										6849	6926	7042	7157	7234	7427	7542				
80												7196	7311	7388	7581	7696	7773			
85												13516	13733	13878	14239	14456	14601			
90														14456	14817	15034	15179	15540	15902	
95														19731	20214	20505	20698	21182	21665	
100														20311	20795	21085	21278	21762	22246	22632

+ Keyways according DIN 6885/1 are possible for all bore combinations.