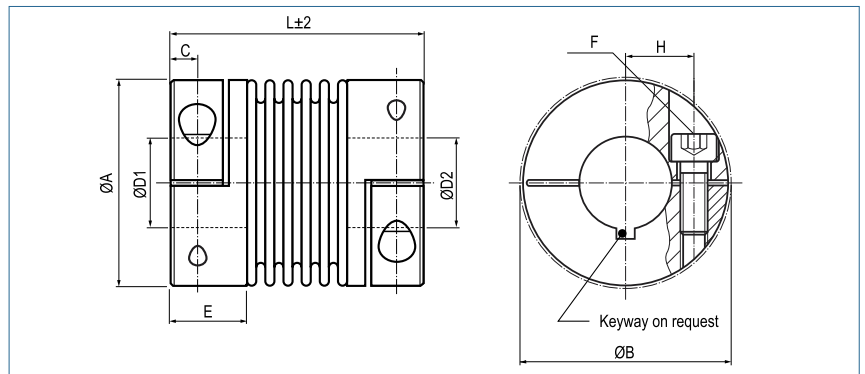


optional
laserwelded
optional full stainless
steel version

Metal Bellows Coupling in aluminum

with collet clamps



Order Code

KB4AL / 80 - 91 - 15 - 20 - (S)

Type / Size

Length
L

ØD1
(H7)

ØD2
(H7)

Options

Size	Torque TKN (Nm)	Dimensions (mm)								Technical Data								
		L	Ø A	D1/D2	H	C	E	F	Mass (kg)	Moment of Inertia J (g m ²)	Spring Stiffness			Misalignment			max speed min ⁻¹	
		Length	Outer Ø	Bore Sizes (H7) min~max				Screw (ISO4762) TA (Nm)			torsional CT 10 ³ (Nm/rad)	radial CR (N/mm)	axial CA (N/mm)	radial ΔKr (mm)	axial ΔKa (mm)	angular ΔKw (°)		
80	80	91	82	12-44	28	11	33.5	82.9	M10	0.8	0.90	128	1200	80	0.2	0.5	1.5	6900
		84							0.85	0.95	75	400	50	0.25	0.8	2	6900	
150	150	91	82	14-44	28	11	33.5	82.9	M10	0.9	1.0	155	2020	145	0.2	0.5	1.5	6900
		84							0.95	1.05	105	595	85	0.25	0.8	2	6900	
200	200	101	90	16-47	31	13	38	90.8	M12	1.17	1.49	175	2500	145	0.2	0.5	1.5	6400
		125							1.21	1.57	120	460	82	0.25	0.8	2	6400	
300	300	105	110	20-60	40	13	38	110	M12	1.62	3.28	502	6300	280	0.2	0.5	1.5	6000
		145							1.66	3.37	285	1400	145	0.25	0.8	2	6000	
500	500	112	122	25-70	42	15	42	122	M12	2.4	6.4	690	7790	100	0.2	0.5	1.5	5000
		145							2.5	6.7	320	970	85	0.25	1.0	2	5000	

Material	bellows - stainless steel hub - aluminium
Hub	bore tolerance: H7
Temperature Range	-30 °C ~ 120 °C
Keyway	optional acc. DIN 6885