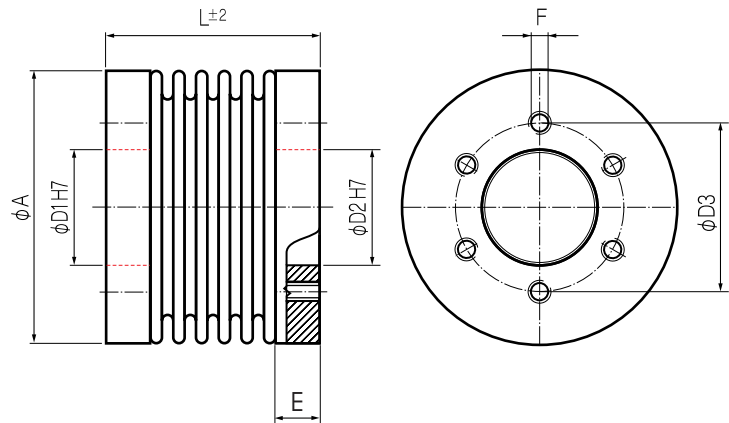


Bellows Couplings



Order Code: KB 7 / 60 - 41 - 38 (- S)

Type / Size Length ØD1/ØD2 Options

	Torque T_{KN} (Nm)	Dimensions (mm)						Technical Ratings								
		L Length (±2)	Ø A Outer Ø	Ø D1/D2 Bore Size (H7)	Ø D3	E	F Thread	Mass (kg)	Moment of Inertia J (g m ²)	Spring Stiffness			Misalignment			max Speed rpm
										torsional $C_T \cdot 10^3$ (Nm/rad)	radial C_R (N/mm)	axial C_A (N/mm)	radial ΔK_r (mm)	axial ΔK_a (mm)	angular ΔK_w (°)	
KB7/18	18	36	45	22	31	6	M5	0.11	0.04	20	205	50	0.2	0.5	1.5	11500
		44						0.115	0.04	15	82	36	0.25	0.5	2	
KB7/30	30	30	56	28	37	7	M5	0.16	0.09	38	720	50	0.15	0.6	1.5	11000
		38						0.17	0.09	28	225	25	0.25	1	2	
KB7/60	60	41	66	38	46	10.5	M6	0.33	0.25	75	1150	90	0.15	0.6	1.5	9100
		51						0.37	0.29	50	340	50	0.25	1	2	
KB7/80	80	50	82	50	62	13	M6	0.69	0.83	128	1200	80	0.2	0.5	1.5	7000
		62						0.75	0.92	75	400	50	0.25	1	2	
KB7/150	150	50	82	50	62	13	M6	0.69	0.83	155	2020	145	0.2	0.5	1.5	7000
		62						0.75	0.92	105	595	85	0.25	1	2	
KB7/200	200	50	90	50	62	13	M6	0.74	1.0	175	2500	145	0.2	0.5	1.5	6700
		63						0.80	1.1	120	460	82	0.25	1	2	
KB7/300	300	55	110	65	80	13	M8	1.18	2.5	502	6300	280	0.2	0.5	1.5	5200
		66						1.24	2.7	285	1400	145	0.25	1	2	
KB7/500	500	61	122	70	94	16	M8	1.95	5.0	690	7790	100	0.2	0.5	1.5	4600
		72						2.05	5.3	320	970	85	0.25	1	2	
KB7/800	800	131	157	85	110	23	M16	3.55	15	760	500	185	0.2	0.8	1.8	3700
KB7/1400	1400	131	157	85	110	23	M16	3.55	15	1270	700	275	0.2	0.8	1.8	3700
KB7/3000	3000	131	157	85	110	23	M16	3.70	16	2810	2945	305	0.2	0.8	1.5	2800
KB7/5000	5000	146	208	100	130	36.5	M16	8.22	61	4810	4915	505	0.2	0.8	1.5	2800

Material: Bellows - Stainless Steel Hubs - High Tensile Steel (also available in Stainless Steel)

Temperature Range: -30° ~ 120° C