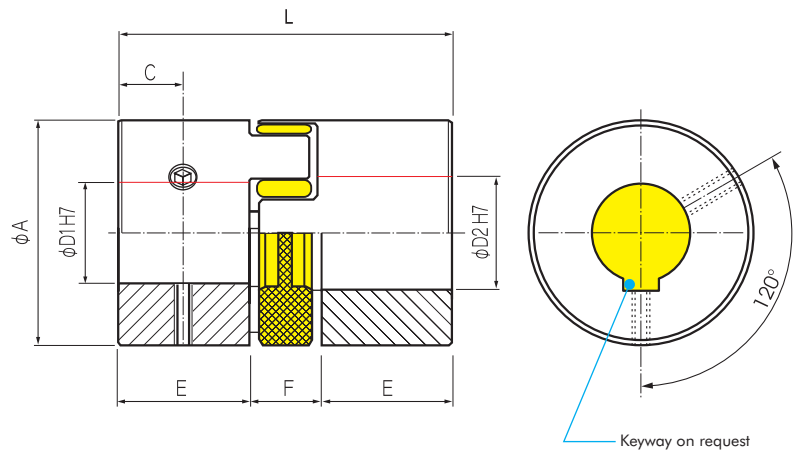


Servo Insert Coupling



Order Code: KBE 1 - 14 - 10H7 - 12H7 (- S)

Type Size Bohre D1(H7) Bohre D2(H7) Options

	Dimensions (mm)							Technical Ratings			
	Ø A	L	Ø D1-D2	E	F	C	F	Maximum Speed rpm. (1/min)	Mass (per Hub) (g)	Moment of Inertia J (kg mm ²)	Torque (Nm)
	Outer Ø	Length	Bohre Sizes (H7) min ~ max				Screw (DIN 916) T _A (Nm)				
KBE 1 - 5	10	15	2 - 6	5	5	2.5	1 x M3 0.5	47500	1	0.034	0.5
KBE 1 - 7	14	22	4 - 7	7	8	3.5	2 x M3 1.3	34000	3	0.2	1.2
KBE 1 - 9	20	30	6 - 9	10	10	5	2 x M3 1.3	24000	9	1.1	3
KBE 1 - 14	30	35	6 - 16	11	13	5	1 x M4 3	16000	20	5.6	12.5
KBE 1 - 19	40	66	10 - 24	25	16	10	1 x M5 6	12000	80	36	17
KBE 1 - 24	55	78	16 - 28	30	18	10	1 x M5 6	8500	132	150	60
KBE 1 - 28	65	90	20 - 38	35	20	15	1 x M6 11	7200	253	330	160
KBE 1 - 38	80	114	20 - 45	45	24	15	1 x M8 25	6000	600	960	325
KBE 1 - 42	95	126	20 - 55	50	26	20	1 x M8 25	4800	1850	4900	450
KBE 1 - 48	105	140	20 - 60	56	28	20	1 x M8 25	4300	3200	8300	525

Material: Insert (KBE1-5 to KBE1-9): Polyurethan 92 Sh A (yellow)
 Insert (KBE1-14 to KBE1-48): Polyurethan 98 Sh A (red)
 Hubs: Aluminum