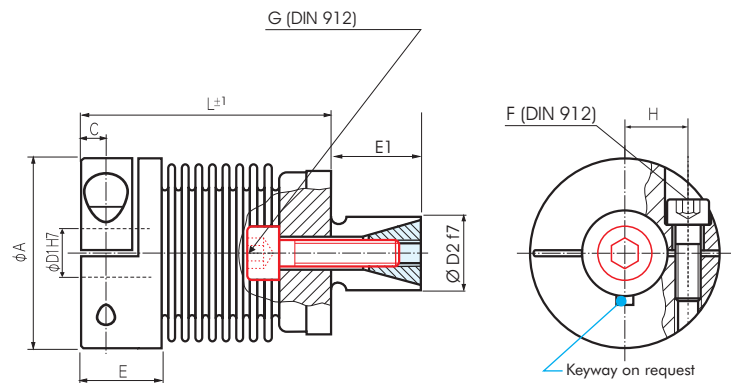


### Bellows Couplings

with Expanding Clamp



**Order Code: KB 8 / 30 - 53 - 15 - 20**

Type / Size

Length

Ø D1  
(H7)

Ø D2  
(H7)

	Torque T <sub>KN</sub> (Nm)	Dimensions (mm)									Technical Ratings								
		L Length (±1)	Ø A Outer Ø	D1 Bore Size (H7) min ~ max	D2 Spreiz- dorn min ~ max	H	C	E	E1	F/G Screw (DIN 912) T <sub>A</sub> (Nm)	Mass (kg)	Moment of Inertia J (g m <sup>2</sup> )	Spring Stiffness			Misalignment			Speed (rpm)
													torsional C <sub>T</sub> 10 <sup>3</sup> (Nm/rad)	radial C <sub>R</sub> (N/mm)	axial C <sub>A</sub> (N/mm)	radial ΔK <sub>r</sub> (mm)	axial ΔK <sub>a</sub> (mm)	angular ΔK <sub>w</sub> (°)	
KB8/18	18	45	45	10-25.4	13-25	17	5.5	19.5	20	M5 8	0.14 0.15	0.04 0.05	20	205	50	0.2	0.5	1.5	12800
		52											15	82	35	0.25	0.5	2	
KB8/30	30	53	56	10-30	14-30	20	7.5	24.5	25	M6 15	0.30 0.31	0.15 0.16	38	720	50	0.15	0.6	1.5	10300
		61											28	225	28	0.25	1.0	2	
KB8/60	60	62	66	12-32	23-38	23	10	29	27	M8 40	0.40 0.42	0.28 0.31	128	1150	90	0.15	0.6	1.5	8700
		72											75	340	50	0.25	1.0	2	
KB8/150	150	71	82	19-42	26,42	28	11	33.5	32	M10 84	0.80 0.85	0.90 0.95	155	2020	145	0.2	0.5	1.5	6900
		83											105	595	85	0.25	0.5	2	
KB8/300	300	84	110	35-65	38-60	39	13	38	45	M12 145	1.62 1.66	3.28 3.37	502	6300	280	0.2	0.5	1.5	6000
		98											285	1400	145	0.25	0.8	2	

⊙ Hubs: Bore Tolerance: H7 Keyway acc. DIN 6885 optional

⊙ Material: Bellows - Stainless Steel  
Hub - Aluminium (also available in Stainless Steel)

⊙ Temperature Range: -30° ~ 120°