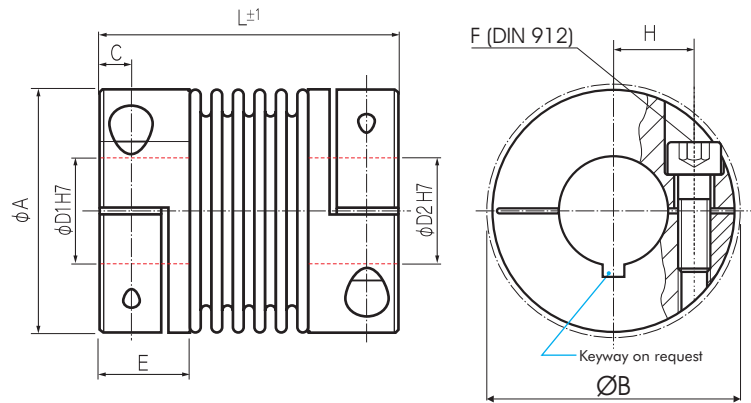


Miniature Metal Bellows Coupling

with Collet Clamps



Order Code: KB 2 / 45 - 50 - 10 - 16 - S

Type / Size Length L Ø D1 (H7) Ø D2 (H7) Options

	Torque TKN (Nm)	Dimensions (mm)								Technical Ratings							
		L	Ø A	D1/D2	H	C	Ø B	E	F	Mass (g)	Moment of Inertia J (g cm ²)	Spring Stiffness			Misalignment		
		Length (±1)	Outer Ø	Bore Sizes (H7) min ~ max			Max. Ø	Hub- length	Screw (DIN 912) TA (Nm)			torsional CT (Nm/rad)	radial CR (N/mm)	axial CA (N/mm)	radial ΔKr (mm)	axial ΔKa (mm)	angular ΔKw (°)
KB2/1	0.1	25	10	1-4	3.4	2	11	7	M1.6 0.1	3	0.5	65	10	14	0.12	0.2	1.2
KB2/5	0.5	21	15.5	3-8	5.2	2.5	17.5	8	M2	7.5	2.7	260	43	13	0.1	0.2	1
									7.8	2.8	200	18	10	0.15	0.3	1.5	
		0.43							8.2	3	160	9	8	0.2	0.4	2	
KB2/10	1	23	15.5	3-8	5.2	2.5	17.5	8	M2	9	3.1	510	74	27	0.1	0.2	1
									9.3	3.4	380	31	20	0.15	0.3	1.5	
		0.43							10	3.7	310	16	16	0.2	0.4	2	
KB2/15	1.5	26	20	3-10	7	3	21	9	M2.5	13	8	750	59	15	0.1	0.3	1.5
		0.85							15	9.3	700	20	9	0.15	0.4	2	
KB2/20	2	32	25	3-14	9	3.5	27	11	M3	29	24	1500	67	12	0.15	0.3	1.5
									32	27	1300	21	11	0.2	0.4	1.5	
		2							33	29	1050	11	9	0.25	0.5	2	
KB2/45	4.5	41	32.5	6-16	12	5	34	14	M4	61	100	6500	168	32	0.1	0.3	1.5
		3.5							67	112	4200	41	20	0.2	0.5	2	
KB2/100	10	47	40.5	6-25	15.5	5	41.5	14	M4	86	233	8100	120	27	0.15	0.4	1.5
		4.5							106	290	6800	29	17	0.3	0.6	2	

Speed: max. 15000 min⁻¹

Hub: Bore Tolerance: H7 Keyway acc. DIN 6885 optional

Material: Bellows - Stainless Steel
Hub - Aluminium (also available in Stainless Steel)

Temperature Range: -30° ~ 120° C