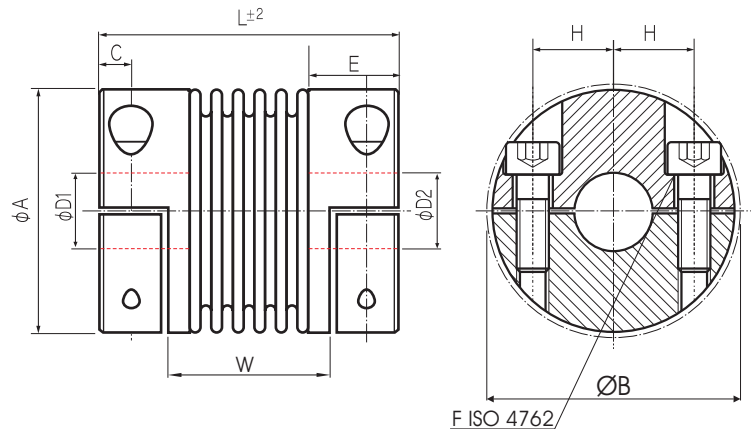


Miniature Metal Bellows Coupling with Split Hubs



Order Code: KB 2H / 45 - 50 - 10 - 16 - S

Type / Size Length L Ø D1 (H7) Ø D2 (H7) Options

	Torque TKN (Nm)	Dimensions (mm)									Technical Ratings							
		L	Ø A	D1/D2	H	C	ØB	E	W	F	Mass (g)	Moment of Inertia J (g cm ²)	Spring Stiffness			Misalignment		
		Length (±1)	Outer Ø	Bore Sizes (H7) min ~ max						Screw (DIN 912) TA (Nm)			torsional CT (Nm/rad)	radial CR (N/mm)	axial CA (N/mm)	radial ΔKr (mm)	axial ΔKa (mm)	angular ΔKw (°)
KB2H/5	0.5	21	15.5	3-7	5.2	2.5	17.5	8	12	M2	7.5	2.7	260	43	13	0.1	0.2	1
		16							0.43	7.8	2.8	200	18	10	0.15	0.3	1.5	
		19								8.2	3	160	9	8	0.2	0.4	2	
KB2H/10	1	23	15.5	3-8	5.2	2.5	17.5	8	14	M2	9	3.1	510	74	27	0.1	0.2	1
		17							0.43	9.3	3.4	380	31	20	0.15	0.3	1.5	
		22								10	3.7	310	16	16	0.2	0.4	2	
KB2H/15	1.5	26	20	3-10	7	3	21	9	14.4	M2.5	13	8	750	59	15	0.1	0.3	1.5
		19.4							0.85	15	9.3	700	20	9	0.15	0.4	2	
KB2H/20	2	32	25	3-14	9	3.5	27	11	18.4	M3	29	24	1500	67	12	0.15	0.3	1.5
		24.4							2	32	27	1300	21	11	0.2	0.4	1.5	
		28.4								33	29	1050	11	9	0.25	0.5	2	
KB2H/45	4.5	41	32.5	6-16	12	5	34	14	24	M4	61	100	6500	168	32	0.1	0.3	1.5
		33							3.5	67	112	4200	41	20	0.2	0.5	2	
KB2H/100	10	48	40.5	6-22	15.5	5	41.5	14	30	M4	86	233	8100	120	27	0.15	0.4	1.5
		39							4.5	106	290	6800	29	17	0.3	0.6	2	

⊙ Speed: max. 15000 min⁻¹

⊙ Hub: Bore Tolerance: H7 Keyway acc. DIN 6885 optional

⊙ Material: Bellows - Stainless Steel
Hub - Aluminium (also available in Stainless Steel)

⊙ Temperature Range: -30° ~ 120° C

