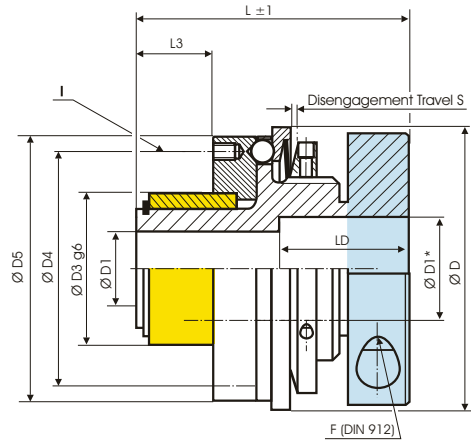


### Safety Coupling

with Collet Clamp

optional nickel-plated!  
optional stainless steel



**Order Code: KBK/CK - 60 - 20H7 - 20Nm - C or D - 2**

Type - Size

Bore D1(H7)

Disengagement Torque

Overload Torque Range

Single Position = C

D = Multi Position Engagement

KBK/CK-x	Dimensions (mm)										Technical Ratings				
	Ø D	Ø D1	Ø D3	Ø D4	Ø D5	L	L3	S	I	F	Overload Torque adjustable		Maximum Speed rpm. (1/min)	Mass (kg)	Moment of Inertia J (kg cm <sup>2</sup> )
	Outer Ø	Bore Size (H7) min ~ max							6 x	Screw (DIN 912) TA (Nm)	1 TKN (Nm)	2 TKN (Nm)			
-2	29	3-6	14	19	25	35	6	0.7	M2	M3 2	0.2-1.5	0.5-2	13200	0.06	0.05
-4.5	36	6-12	20	26	32	36	7	0.7	M2	M4 3.5	1-3	3-6	12300	0.12	0.20
-7	49	6-16	24	30	47	44	8	0.7	M3	M4 5.1	1-4	3-7	12000	0.18	0.4
-10	49	6-16	24	30	47	44	8	0.7	M3	M4 5.1	3-7	5-10	12000	0.18	0.4
-30	64	10-20	30	46	60	59	9	1.2	M4	M6 15	5-15	10-30	9400	0.59	2.4
-60	79	12-25	36	50	75	76	16	1.2	M5	M8 36	13-35	20-65	7800	1.05	6.4
-80	94	14-35	48	65	90	79	22	2	M6	M10 72	15-40	30-80	6400	2.4	21
-150	94	14-35	48	65	90	79	22	2	M6	M10 72	50-130	65-150	5500	2.4	21
-200	109	22-40	52	70	105	91	25	2	M6	M12 125	30-90	80-200	5500	3.0	35
-300	119	30-46	58	76	115	101	31	2	M8	M12 145	60-200	150-300	5000	4.4	66
-500	129	35-50	66	110	125	134	33	2	M8	M12 145	80-250	200-500	4500	6.4	113

⊗ Bore > Ø D1 and ≤ D1\* only possible over LD

⊗ Keyway acc. DIN 6885 optional

⊗ Temperature Range: -30°C ~ 120°C

Size	2	4.5	7	10	30	60	80	150	200	300	500
D1*	11	X	20	20	26	31	38	38	X	57	62
LD	15	X	20	20	28	38	34	34	X	42	56