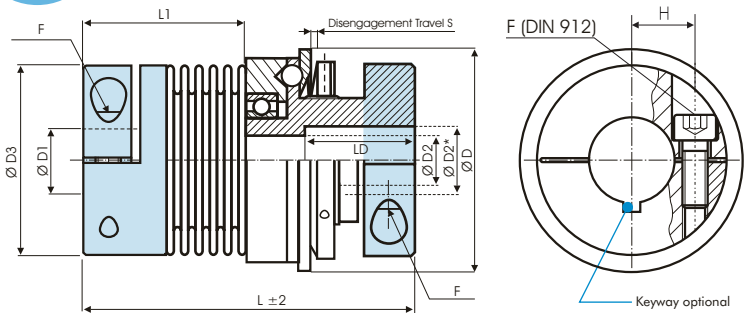
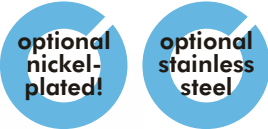


## Safety Coupling

with 2 Collet Clamps



**Order Code: KBK/BKK - 60 - 105 - 16H7 - 14H7 - 20Nm - C or D - 1**

Type / Size

Length

Ø D2 (H7)

Ø D2 (H7)

Disengagement Torque

Overload Torque Range

C= Single Position D= Multi Position Engagement

KBK/BKK-x	Dimensions (mm)									Technical Ratings										
	Ø D	L	Ø D1	Ø D2	Ø D3	H	F	L1	S	Maximum Speed	Mass	Moment of Inertia	Overload Torque adjustable		Spring Stiffness			Misalignment		
	Outer Ø	Length	Bore Size (H7) min ~ max	Bore Size (H7) min ~ max	Hub-dia-meter		Screw (DIN 912) T <sub>A</sub> (Nm)			rpm. (1/min)	(kg)	J (kg cm <sup>2</sup> )	1 T <sub>KN</sub> (Nm)	2 T <sub>KN</sub> (Nm)	torsional x10 <sup>3</sup> C <sub>T</sub> (Nm/rad)	radial C <sub>R</sub> (N/mm)	axial C <sub>A</sub> (N/mm)	radial ΔKr (mm)	axial ΔKa (mm)	angular ΔKw (°)
-2	29	46	3	3	25	9	M3	21	0.7	13200	0.08	0.06	0.2	0.5	1.5	67	12	0.15	0.3	1.5
		52	14	8			2	27					1	3	1.3	21	11	0.20	0.4	1.5
		56	14	8			2	31					1	3	1.0	11	9	0.25	0.5	2
-4.5	36	57	6	6	32.5	12	M4	27	0.7	12300	0.16	0.26	1	3	6.5	168	32	0.1	0.3	1.5
		65	16	13			3.5	36					1	6	4.2	41	20	0.2	0.5	2
-7	49	65	6	6	40	15.5	M4	34	0.7	11690	0.25	0.58	1	3	8.1	120	27	0.15	0.4	1.5
		75	25	16			5.1	43					1	7	6.8	29	17	0.3	0.6	2
-10	49	65	6	6	40	15.5	M4	34	0.7	11690	0.25	0.6	3	5	8.1	120	27	0.15	0.4	1.5
		75	25	16			5.1	43					3	10	6.8	29	17	0.3	0.6	2
-30	64	85	10	10	56	20	M6	40.5	1.2	9540	0.77	3.2	5	10	38	720	50	0.15	0.6	1.5
		94	30	20			15	48.5					5	30	28	225	28	0.25	1	2
-60	79	105	12	12	66	23	M8	50	1.2	8180	1.34	8.2	12	20	75	1150	90	0.15	0.6	1.5
		115	32	28			36	60					12	60	50	340	50	0.25	1	2
-80	94	113	14	14	82	28	M10	57.5	2	6220	3.52	31	15	30	128	1200	80	0.2	0.5	1.5
		125	42	35			72	68.5					15	80	75	400	50	0.25	0.8	2
-150	94	113	19	14	82	28	M10	57.5	2	6220	3.52	31	50	65	155	2020	145	0.2	0.5	1.5
		125	42	35			72	68.5					50	150	105	595	85	0.25	0.8	2
-200	109	125	22	22	90	31	M12	63	2	5720	4.45	53	30	80	175	2500	147	0.2	0.5	1.5
		138	45	41			125	75					30	200	116	460	82	0.25	0.8	2
-300	119	140	30	30	110	39	M12	67	2	5200	6.47	97	60	150	502	6300	280	0.2	0.5	1.5
		150	60	50			125	78					60	300	285	1400	145	0.25	0.8	2
-500	129	158	35	35	122	42	M12	70	2	4470	9.22	164	80	200	690	7790	100	0.2	0.5	1.5
		170	70	56			125	81					80	500	320	970	85	0.25	1	2

Material: Bellows: stainless steel  
Collet Clamp (Size 2 to Size 60): Aluminum  
Collet Clamp (Size 80 to Size 500): Steel

Temperature Range: -30°C ~ 120°C

Keyway acc. DIN 6885 optional

Bore > Ø D1 and ≤ D1\* only possible over LD

Size	2	4.5	7	10	30	60	80	150	200	300	500
D2*	11	X	20	20	26	31	38	38	X	57	62
LD	15	X	20	20	28	38	34	34	X	42	56