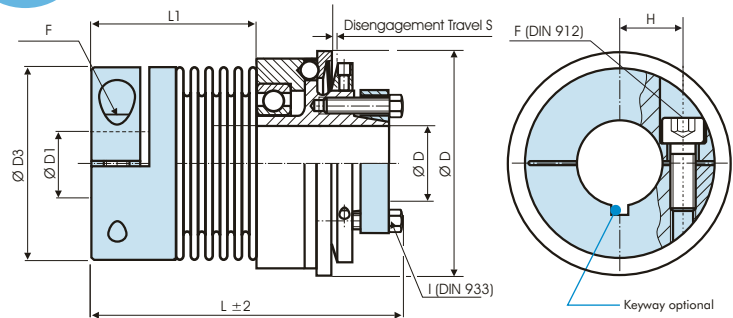


Safety Coupling

with Collet Clamp and Outer Cone

optional
nickel-
plated!

optional
stainless
steel



Order Code: KBK/BKA - 60 - 108 - 16H7 - 14H7 - 20Nm - C or D - 1

Type / Size

Length

Ø D2 (H7)

Ø D2 (H7)

Disengagement
Torque

Overload
Torque Range

C = Single Position D = Multi Position Engagement

KBK/BKA-x	Dimensions (mm)										Technical Range										
	Ø D	L	Ø D1	Ø D2	Ø D3	H	F	L1	I	S	Maximum Speed	Mass	Moment of Inertia	Overload Torque adjustable		Spring Stiffness			Misalignment		
	Outer Ø	Length	Bore Size (H7) min / max	Bore Size (H7) min / max	Hub-diameter		Screw (DIN 912) T _A (Nm)	Screw (DIN 933) T _A (Nm)			rpm. (1/min)	(kg)	J (kg cm ²)	T _{KN} 1 (Nm)	T _{KN} 2 (Nm)	torsional x10 ³ C _T (Nm/rad)	radial C _R (N/mm)	axial C _A (N/mm)	radial ΔK _r (mm)	axial ΔK _a (mm)	angular ΔK _w (°)
-10	49	67	6	5	40	15.5	M4	34	M3	0.7	11690	0.24	0.6	3	5	8.1	120	27	0.15	0.4	1.5
		77	25	14			5.1	43	2.1					7	10						
-30	64	81	10	12	56	20	M6	40.5	M5	1.2	9540	0.71	2.9	5	10	38	720	50	0.15	0.6	1.5
		90	30	20			15	48.5	5.9					15	30						
-60	79	98	12	15	66	23	M8	50	M5	1.2	8180	1.29	7.9	12	20	75	1150	90	0.15	0.6	1.5
		108	32	32			36	60	8.7					35	60						
-80	94	115	14	20	82	28	M10	57.5	M6	2	6220	2.89	25	15	30	128	1200	80	0.2	0.5	1.5
		127	42	35			72	68.5	15					40	80						
-150	94	115	19	20	82	28	M10	57.5	M6	2	6220	2.89	25	50	65	155	2020	145	0.2	0.5	1.5
		126	42	35			72	68.5	15					130	150						
-200	109	122	22	20	90	31	M12	63	M6	2	5720	3.5	42	30	80	175	2500	147	0.2	0.5	1.5
		135	45	42			125	75	15					90	200						
-300	119	140	30	25	110	39	M12	67	M8	2	5200	5.23	79	60	150	502	6300	280	0.2	0.5	1.5
		150	60	50			125	78	25					200	300						
-500	129	154	35	35	122	42	M12	70	M8	2	4470	7.5	135	80	200	690	7790	100	0.2	0.5	1.5
		165	75	55			125	81	36					250	500						

Material: Bellows: Stainless Steel

Collet Clamp (Size 10 to Size 60): Aluminium

Collet Clamp (Size 80 to Size 500): Steel

Outer Cone: Steel

Keyway acc. DIN 6885 optional

Temperature Range: -30°C ~ 120°C