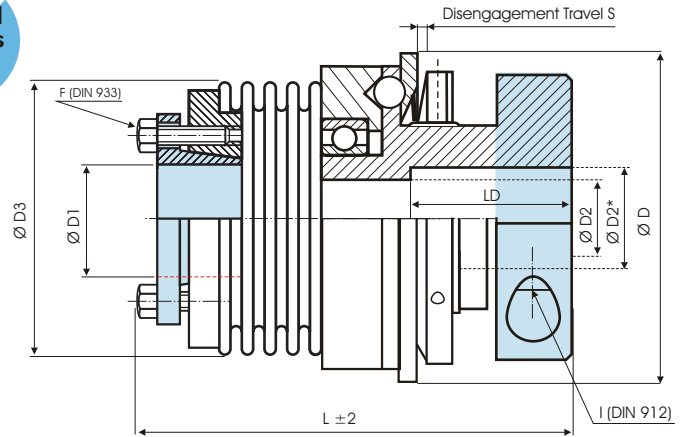


### Safety Coupling

with Inner Cone and Collet Clamp

optional  
nickel-plated!

optional  
stainless steel



Order Code: **KBK/BIK - 60 - 107 - 15H7 - 18H7 - 20Nm - C or D - 2**

Type / Size

Length

Ø D2 (H7)

Ø D2 (H7)

Disengagement  
Torque

Overload  
Torque Range

C = Single Position D = Multi Position Engagement

KBK/BIK-x	Dimensions (mm)								Technical Ratings										
	ØD	L	ØD1	ØD2	ØD3	F	I	S	Maximum Speed rpm. (1/min)	Mass (kg)	Moment of Inertia J (kg cm <sup>2</sup> )	Overload Torque adjustable		Spring Stiffness			Misalignment		
	Outer Ø	Length	Bore Size (H7) min~max	Bore Size (H7) min~max	Screw (DIN 933) T <sub>A</sub> (Nm)	Screw (DIN 912) T <sub>A</sub> (Nm)	1 T <sub>KN</sub> (Nm)	2 T <sub>KN</sub> (Nm)				torsional x10 <sup>3</sup> C <sub>T</sub> (Nm/rad)	radial C <sub>R</sub> (N/mm)	axial C <sub>A</sub> (N/mm)	radial ΔK <sub>r</sub> (mm)	axial ΔK <sub>a</sub> (mm)	angular ΔK <sub>w</sub> (°)		
<b>-10</b>	49	68	6-14	6-16	40.5	M3	M4	0.7	11650	0.27	0.6	3-7	5-10	8.1	120	27	0.15	0.4	1.5
		78				2.1	5.1							6.8	29	17	0.3	0.6	2
<b>-30</b>	64	79	12-20	10-20	56	M5	M6	1.2	9540	0.81	3.3	5-15	10-30	38	720	50	0.15	0.6	1.5
						88	6							15	28	225	28	0.25	1
<b>-60</b>	79	97	15-25	12-28	66	M6	M8	1.2	8180	1.48	9	12-35	20-60	75	1150	90	0.15	0.6	1.5
						107	8.5							36	50	340	50	0.25	1
<b>-80</b>	94	107	20-35	14-35	82	M6	M10	2	6220	3.2	28	15-40	30-80	128	1200	80	0.2	0.5	1.5
						119	14							72	75	400	50	0.25	0.8
<b>-150</b>	94	107	20-35	14-35	82	M6	M10	2	6220	3.2	28	50-130	65-150	155	2020	145	0.2	0.5	1.5
						119	14							72	105	595	85	0.25	0.8
<b>-200</b>	109	114	20-40	22-41	90	M6	M12	2	5720	3.9	46	30-90	80-200	175	2500	147	0.2	0.5	1.5
						127	14							125	116	460	82	0.25	0.8
<b>-300</b>	119	133	25-50	30-50	110	M8	M12	2	5200	6.1	92	60-200	150-300	502	6300	280	0.2	0.5	1.5
						143	18							125	285	1400	145	0.25	0.8
<b>-500</b>	129	147	35-55	35-56	122	M8	M12	2	4470	8.4	150	80-250	200-500	690	7790	100	0.2	0.5	1.5
						158	26							125	320	970	85	0.25	

Size	2	4.5	7	10	30	60	80	150	200	300	500
D2*	11	X	20	20	26	31	38	38	X	57	62
LD	15	X	20	20	28	38	34	34	X	42	56

Material: Bellows: Stainless Steel

Collet Clamp (Size 10 to Size 60): Aluminium

Collet Clamp (Size 80 to Size 500): Steel

Inner Cone: Steel

Keyway acc. DIN 6885 optional

Temperature Range: -30°C ~ 120°C

Bore > Ø D1 and ≤ D1\* only possible over LD