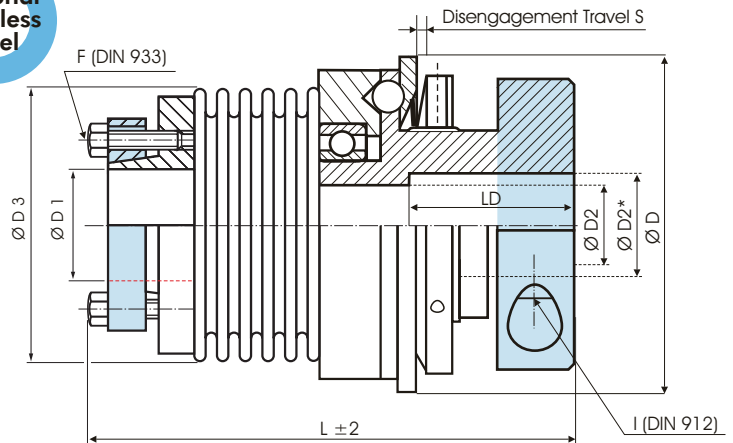


Safety Couplings

with Outer Cone and Collet Clamp

optional
nickel-plated!

optional
stainless steel



Order Code: **KBK/BAK - 60 - 115 - 15H7 - 18H7 - 20Nm - C or D - 2**

Type / Size

Length

Ø D2 (H7)

Ø D2 (H7)

Disengagement
Torque

Overload
Torque Range

C = Single Position D = Multi Position Engagement

KBK/BAK-x	Dimensions (mm)								Technical Ratings										
	ØD	L	ØD1	ØD2	ØD3	F	S	I	Maximum Speed rpm. (1/min)	Mass (kg)	Moment of Inertia J (kg cm ²)	Overload Torque adjustable		Spring Stiffness			Misalignment		
	Outer Ø	Length	Bore Size (H7) von-bis	Bore Size (H7) von-bis		Screw (DIN 933) T _A (Nm)	Screw (DIN 912) T _A (Nm)	1 T _{KN} (Nm)				2 T _{KN} (Nm)	torsional x10 ³ C _T (Nm/rad)	radial C _R (N/mm)	axial C _A (N/mm)	radial ΔK _r (mm)	axial ΔK _a (mm)	angular ΔK _w (°)	
-10	49	65	5-14	6-16	40.5	M3	0.7	M4	11650	0.27	0.6	3-7	5-10	8.1	120	27	0.15	0.4	1.5
		74				2.1		5.1						6.8	29	17	0.3	0.6	2
-30	64	82	12-20	10-20	56	M5	1.2	M6	9540	0.80	3.3	5-15	10-30	38	720	50	0.15	0.6	1.5
		92				5.9		15						28	225	28	0.25	1	2
-60	79	104	15-32	12-28	66	M5	1.2	M8	8180	1.46	8.9	12-35	20-60	75	1150	90	0.15	0.6	1.5
		115				8.7		36						50	340	50	0.25	1	2
-80	94	115	20-35	14-35	82	M6	2	M10	6220	3.3	29	15-40	30-80	128	1200	80	0.2	0.5	1.5
		127				15		72						75	400	50	0.25	0.8	2
-150	94	115	20-35	14-35	82	M6	2	M10	6220	3.3	29	50-130	65-150	155	2020	145	0.2	0.5	1.5
		127				15		72						105	595	85	0.25	0.8	2
-200	109	122	20-42	22-41	90	M6	2	M12	5720	3.9	46	30-90	80-200	175	2500	147	0.2	0.5	1.5
		135				15		125						116	460	82	0.25	0.8	2
-300	119	141	25-50	30-50	110	M8	2	M12	5200	5.9	88	60-200	150-300	502	6300	280	0.2	0.5	1.5
		152				25		125						285	1400	145	0.25	0.8	2
-500	129	163	35-55	35-56	122	M8	2	M12	4470	8.5	151	80-250	200-500	690	7790	100	0.2	0.5	1.5
		175				36		125						320	970	85	0.25	1	2

⊙ Bore > Ø D1 and ≤ D1* only possible over LD

⊙ Keyway acc. DIN 6885 optional

⊙ Temperature Range: -30°C ~ 120°C

Size	2	4.5	7	10	30	60	80	150	200	300	500
D2*	11	X	20	20	26	31	38	38	X	57	62
LD	15	X	20	20	28	38	34	34	X	42	56

⊙ Material: Bellows: Stainless Steel
Collet Clamp (Size 10 to Size 60): Aluminium
Collet Clamp (Size 80 to Size 500): Steel
Outer Cone: Steel